



TORIT MIST COLLECTORS

MC 500

WET-MACHINING POLLUTION CONTROL

The TORIT MC500 is designed to control water-soluble and petroleum-based mists generated by your production operations. It's a maximum-efficiency system that helps eliminate in-plant moisturization from floating mists that cling to walls, ceilings, floors, and equipment. It can help solve maintenance problems generated by wet-machining operations, as well as improving work safety conditions.

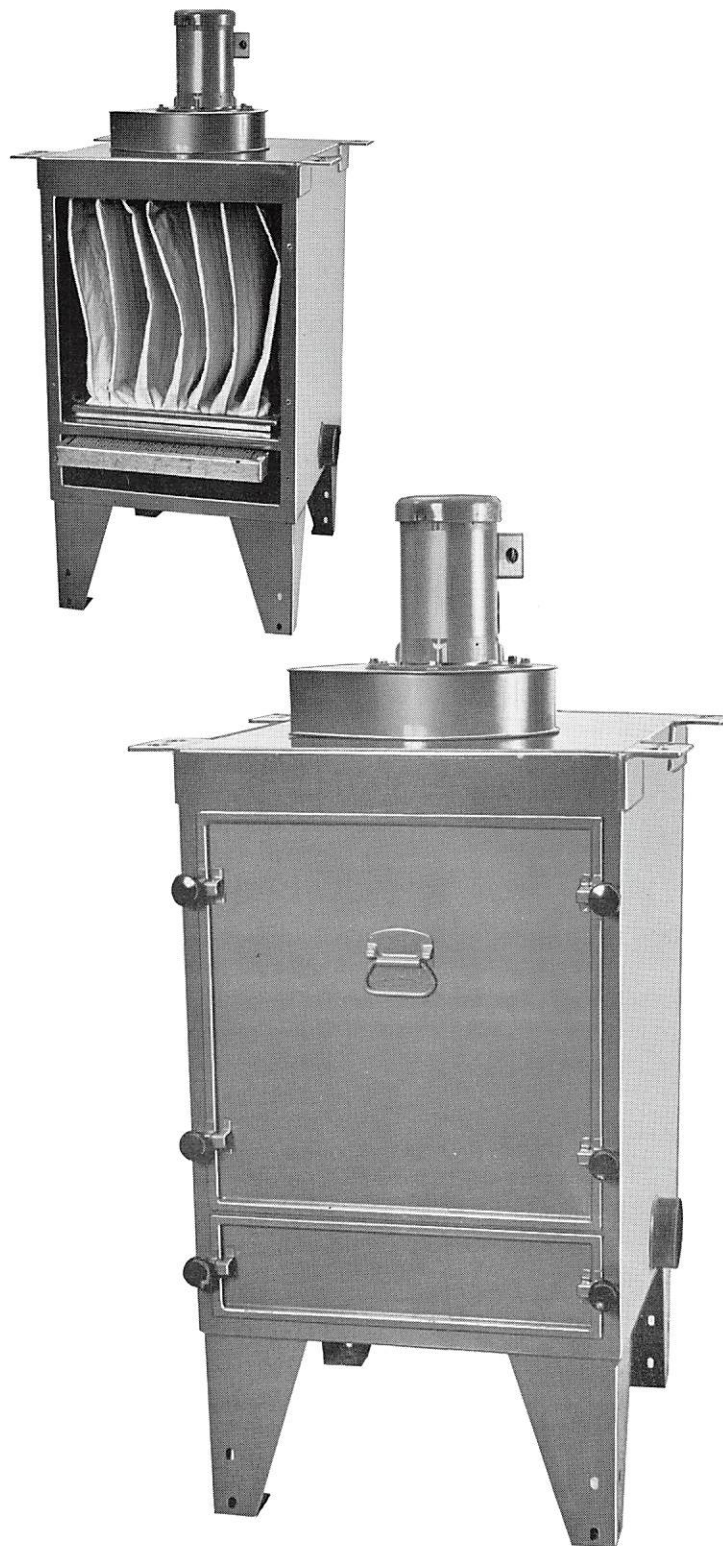
TWO-STAGE FILTRATION

The MC500 offers mist filtration in two stages. The first stage consists of a non woven nylon filter or an optional wire mesh filter, measuring 19½" x 23½" x 2", for stopping chips and large mist droplets. The mist collector inlet is positioned so that air enters parallel to the filter. The air flow must turn 90° to move through the filter, which allows for more complete filtration than a common straight-flow type. The medium is completely washable. The second stage is composed of a fiberglass filter, providing 50 square feet of filtering area. These pleated filters stop solid particles, or liquid droplets, which then drain to the bottom of the mist collector for easy disposal or reclamation. An optional third stage, composed of HEPA filters, is available for 99.97% efficiency on particles as small as 0.30 micron.

FLEXIBLE AND COST-EFFECTIVE

The TORIT MC500 offers space-saving adaptability, which allows unit mounting on wall, ceiling, or overhead beam. Legs for floor installation are available as options. The MC500 is delivered pre-assembled, ready for immediate installation. Each unit features air- and water-tight closure. A sloped bottom allows full recycling of coolants, if desired, by connecting the ¾" drain directly to the machine coolant system.

Recycling of useable coolants, as well as the ability of recirculating clean, filtered air discharged by the mist collector, offers you a cost-effective system of wet-machine pollution control. With equipment and plant maintenance savings, and efficient filtration, the MC500 represents another effective solution to in-plant pollution problems, from TORIT.

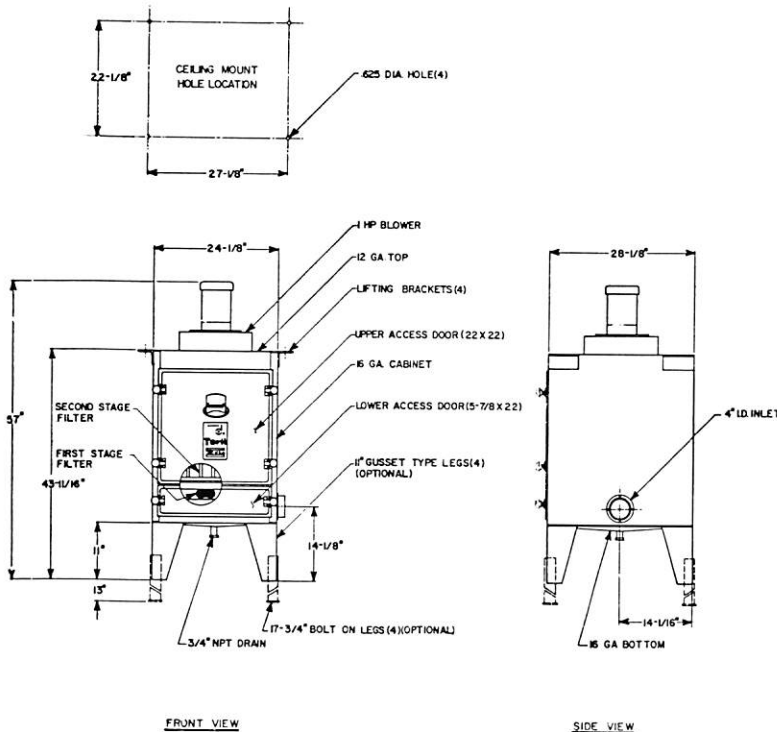




TORIT MIST COLLECTORS

MC 500

DIMENSIONAL DRAWING



SPECIFICATIONS

First Stage Filter Medium Non Woven Nylon
 Quantity 1
 Dimension 19 1/2" x 23 1/2" x 2"
 Second Stage Filter Medium Fiber-glass
 Quantity 1
 Dimensions 24" x 20" x 22"
 Filter Area 50 sq. ft.
 Height 46" w/o legs
 Length 28 1/8"
 Width 24 1/8"
 Inlet Velocity (F.P.M.) 5727
 External Static Pressure 4.7"
 Motor 1 HP, 230/460/60/3
 TEFC
 Air Volume 500 SCFM
 Housing Rating ± 15" H₂O
 Shipping Weight w/Blower 197
 Specifications subject to change without notice.

NOTES

- Inlet size 4" ID.
- Allow 5" minimum clearance for motor and fan removal.
- All TORIT Mist Collectors have smooth blue finish.
- Please state in-plant line voltage when ordering.

OPTIONAL EQUIPMENT

- HEPA filter for third-stage filtration.
- Optional unit legs, 11 and 24 inch legs.
- Sound attenuator packages.
- Wire mesh first stage filter

PERFORMANCE TESTED

Performance ratings and A-scale sound level readings are available on each mist collector system. All ratings are read and verified under standard test conditions in TORIT's laboratories.

TORIT district sales representatives are conveniently located throughout the United States and Canada. One will gladly work with you on your in-plant air pollution problems, and offer complete recommendations at no obligation to you. Check your Yellow Pages, under "Dust Collecting Systems," for local listing, or write.



Donaldson Company, Inc.
 Torit Division
 P.O. Box 1299
 Minneapolis, Minnesota 55440

Parts & Service
 1-800-365-1331

LEADERS IN CONTROL OF IN-PLANT AIR POLLUTION